



TH SERIES AIR / HYDRAULIC BRAKE SYSTEM non ABS

AIR / HYDRAULIC TRAILER KITS - NON ABS

The TH series air / hydraulic trailer kits are designed to meet the fluid displacement and pressure requirements of a wide variety of axle capacities. All kits listed below are furnished complete with control valves, air tank, air / hydraulic actuator, air hose and hydraulic brake line kit. The chart below provides an easy way to select the proper kit for a particular application by referencing the axle manufacturer and axle size. Torsion axle kits are also available.

Custom Kits are Available



AXLE MANUFACTURER	AXLE		NUMBER OF AXLES		
	AXLE RATING	BRAKE TYPE	SINGLE	TANDEM	TRIPLE
DEXTER	8K-12K	DRUM	TH-1001	TH-1002	TH-1003
	15K	DRUM	TH-1001	TH-1002	TH-1003
	10K, 15K	DISC	TH-1501D	TH-1502D	TH-1503D
KODIAK	8K-12K	DISC	TH-1501T	TH-1502T	TH-1503T
	15K	DISC	TH-1501T	TH-1502T	TH-1503T
	10K, 15K	DISC	TH-1501T	TH-1502T	TH-1503T

OTHER AXLE MANUFACTURERS ALSO SUPPORTED

VACUUM / HYDRAULIC BOOSTER TECHNICAL DATA			
KIT SERIES	BOOSTER PART NO.	OUTPUT PRESSURE @ 100 PSIG INPUT	FLUID DISPLACEMENT
TH-800	AB-800	750 PSIG	3.45 cu. in.
TH-1000	AB-1000	1000 PSIG	2.65 cu. in.
TH-1200	AB-1200	1250 PSIG	2.65 cu. in.
TH-1500	AB-1500	1500 PSIG	2.65 cu. in.

NOTE: the number of boosters required depends on the brakes, the number of axles and the booster fluid capacity.

WARNING: It is the brake system installers' responsibility to ensure compatibility between towing vehicle and trailer actuation systems. Various combinations of air/hyd and tow vehicle systems can allow normal maximum working pressure to exceed 1000 psi on drum brakes. Pressures in excess of 1000 psi on drum brakes increase lining wear and can lead to component failure. Make certain your system has the correct boost ratio and brake fluid volume to activate brakes properly.



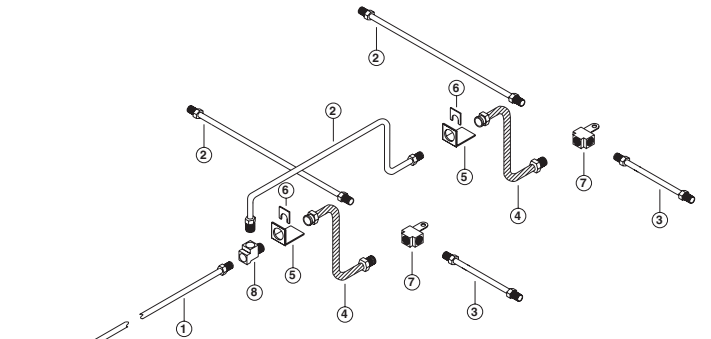
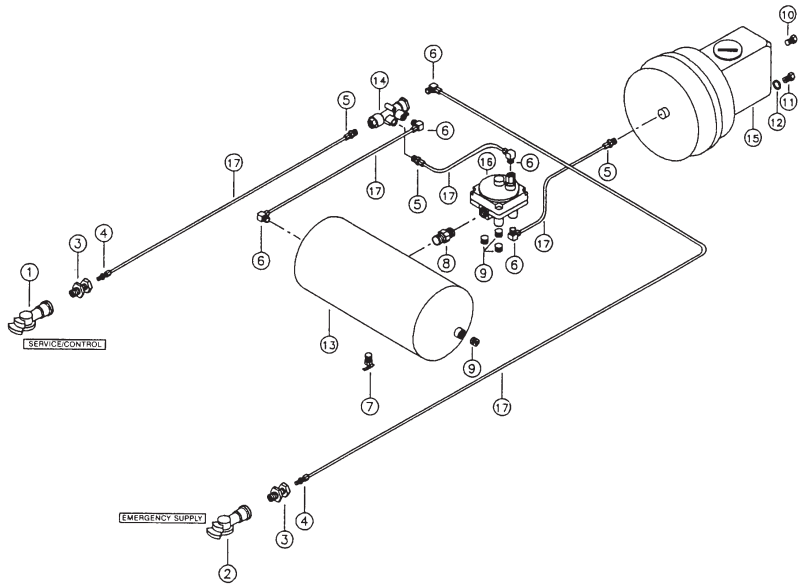
4335 Meghan Beeler Ct. - South Bend, IN 46628
 Phone: (574) 277-2306 - Fax: (574) 277-3785
www.bludotinc.com



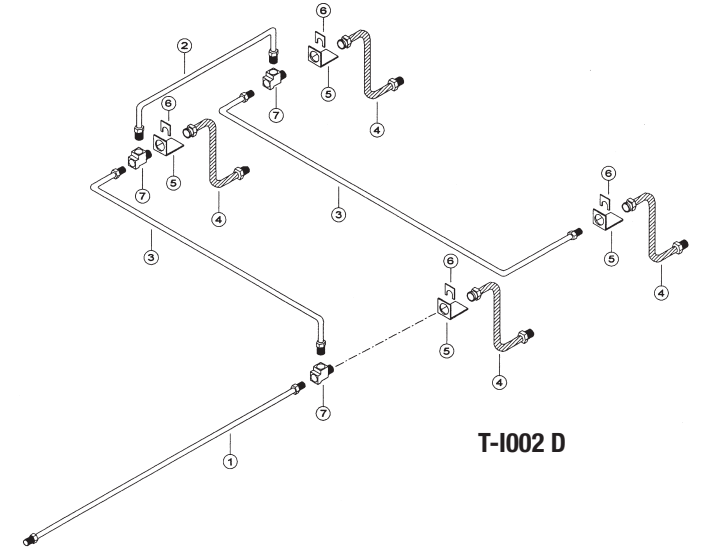
TH SERIES AIR / HYDRAULIC BRAKE SYSTEM non ABS - KIT COMPONENTS

NON ABS

TYPICAL SYSTEM



T-1002



T-1002 D

